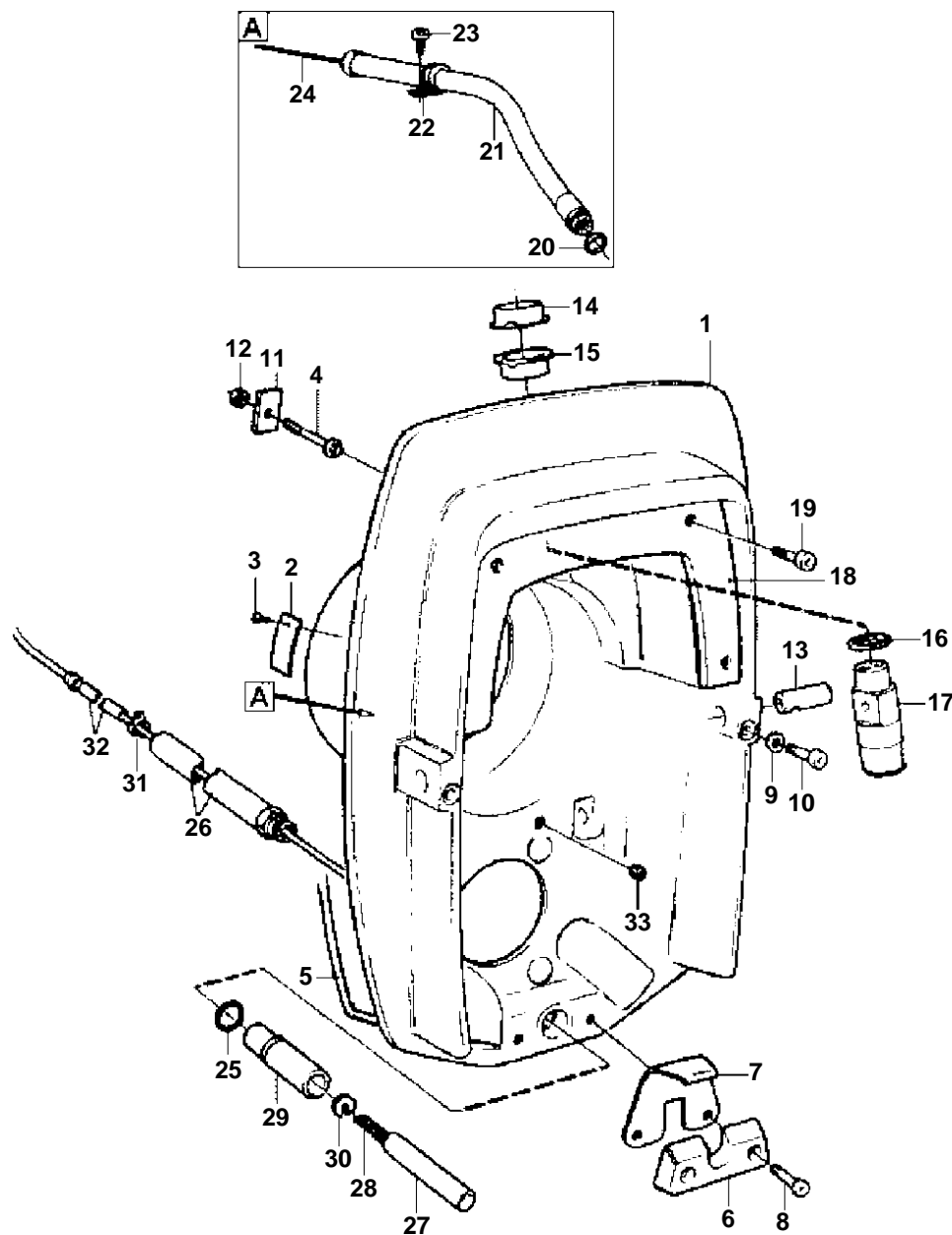


DPX-C - TRANSOM SHIELD WITH MOUNTING COMPONENTS



DPX-C - TRANSOM SHIELD WITH MOUNTING COMPONENTS

REF	PART NO.	QTY	DESCRIPTION	NOTES
1	872662	1	Shield	
2	853706	1	• Type plate	
3	804269	2	• Drive screw	
4	873316	6	Stud	
5	852868		Sealing strip, L=1750 mm	As required
6	872139	1	Zinc anod	
7	872963	1	Support plate	
8	946541	2	Screw	
9	941670	2	Washer	
10	963699	2	Screw	
11	852866	6	Washer	
12	963108	6	Nut	
13	872493	2	Pin	
14	854705	1	Bushing	
15	854704	1	Bushing	
16	977313	1	Sealing ring	
17	872956	1	Grommet	
18	872971	1	Protection	
19	873188	4	Screw	
20	897745	1	Gasket	
21	839091	1	Hose	
22	952635	1	Clamp	
23	955512	1	Screw	
24			CONTROL CABLE	As required
25	979668	1	O-ring	
26	872669	1	Protecting hose	
27	872667	1	Piston	
28	872668	1	Spring	
29	873246	1	Pipe	
30	872962	1	Washer	
31	961662	1	Clamp	
32			CONTROL CABLE	As required
33	853215	1	Plug	